



**MOUNTAIN SECURE SYSTEMS**

**RUGGED & WIRELESS SOLUTIONS**

RUGGEDIZED ELECTRONICS TO OUTLAST HARSH ENVIRONMENTS



**EVERETT  
SERIES**

**RUGGED DATA STORAGE**



## Optical Storage Solutions

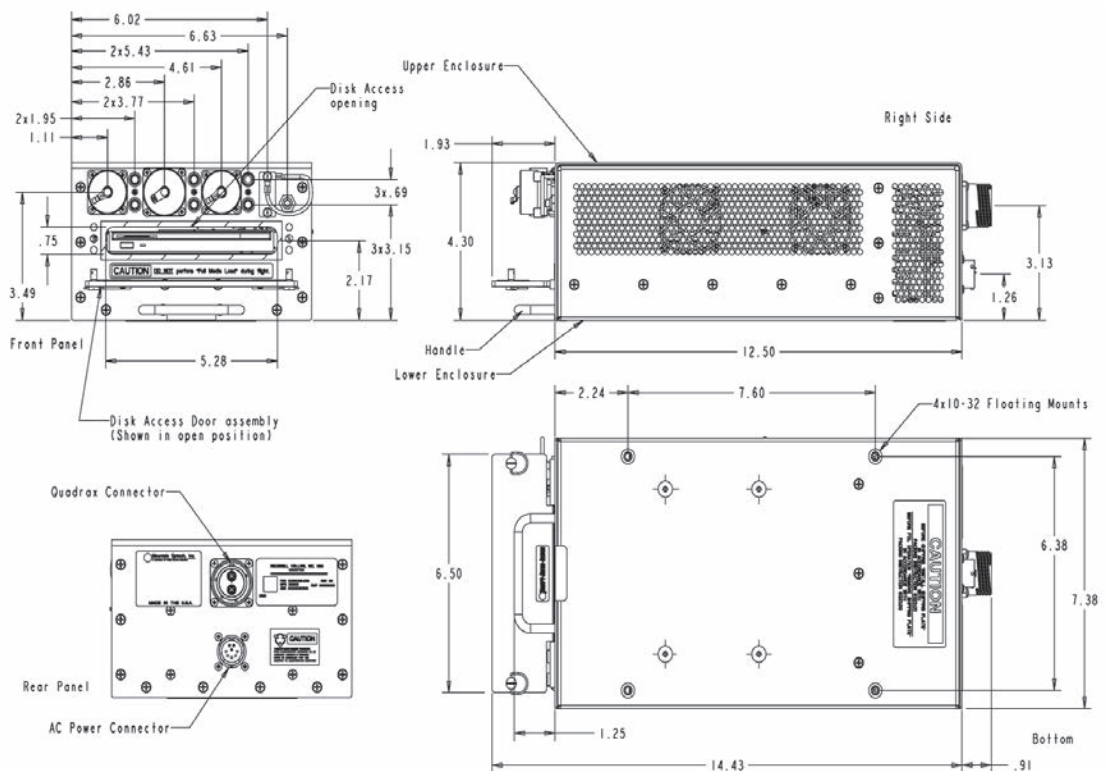
Mountain Secure Systems (MSS) has been providing rugged optical storage solutions for over 25 years. We leverage our packaging expertise to protect optical devices from thermal, vibration, shock, EMI and humidity extremes. **Blu-ray, our latest in-flight entertainment (IFE) offering**, comes with multiple interfaces, including Ethernet and SATA. Depending on your application, MSS can provide standard COTS products or develop a custom solution to meet your specific requirements.

Additionally, MSS offers a **network-attached Flyable Data Loader (FDL)**, which includes all the Windows-based software and qualification to full DO-160. The design incorporates a Blu-ray drive, SBC, Power Supply and ECS (Environmental Control System). The purpose of the unit is to allow automatic data off-load, from either a USB or Blu-ray disc in the aircraft cabin to a server located in the electronics bay.

Furthermore, our expertise in data handling, ruggedization and development to customer specification has taken us into many different avenues of subsystem integration and box-level electronic products. We have extensive experience integrating storage components with single board computers, adaptors, power supplies, cooling and heating systems, converters, backplanes, mil spec connectors, and custom software in many different custom and standard form factors.

To learn more, call us at 888.884.9344.

### EVERETT SERIES CONFIGURATION EXAMPLE





EVERETT SERIES **PERFORMANCE**

Interface	USB 2.0 (2) Ethernet, VGA
Transfer Rate	Minimum— 6 MB/sec Typical— 9 MB/sec
Capacity	Up to 50 GB (Dual Layer BD)
Processor	1.0 GHz 915GM
RAM	512K, 533MHz
Compact Flash	1 GB
BIOS	512K byte
Power Requirement	115V +/- 15V/400 Hz AC power
Power Consumption	56 watts max, 28 watts typical
MTBF	20,000 operational hours

EVERETT SERIES **ENVIRONMENTAL**

Temperature (°C)	Operating	-15 to +55
	Non-Operating	55 to +85
Shock	RTCA/DO-160D, Operating	6 Gs @ 11ms (Sections 7.2, 7.3)
Crash Safety	RTCA/DO-160D	Sections 7.2, 7.3
Vibration	RTCA/DO-160D	Sections 7.2, 7.3
	Operating	0.9GRMS (Figure 8-1, Curve B2)
	Non-Operating	10 to 30Hz sinusoidal @ 3G
Humidity		95%RH @ +50°C, 48 hours
Altitude		+50,000 ft.
Decompression		+50,000 ft.

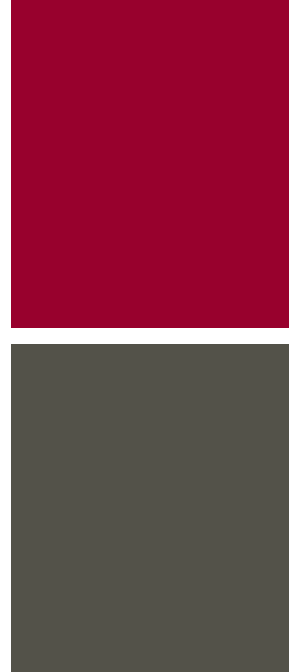
EVERETT SERIES **PHYSICAL**

Height	4.3 in (109 mm)
Length	12.5 in (317 mm)
Width	7.4 in (188 mm)
Weight	13 lbs

EVERETT SERIES **FEATURES**

- Heaters and fans for extended temperature operation
- Isolation system for extended shock and vibration operation
- Blu-ray drive allows up to 50GB of data to be downloaded at one time
- Dual USB ports for loading data using a standard USB flash disc, CR, keyboard and mouse
- Front Ethernet port for maintenance tasks
- VGA port for display monitor





Nobody understands the critical details of ruggedizing memory better than Mountain Secure Systems (MSS). MSS's rugged drives have a phenomenal track record of withstanding the harshest environments imaginable. Our products perform flawlessly in adverse conditions, where extreme temperature, altitude, humidity and condensation, shock and vibration, explosive decompression, and dust and dirt are elements of concern.



©2013 Mountain Secure Systems is a subsidiary of Phillips Service Industries

1350 Kansas Avenue  
 Longmont, Colorado 80501-6545  
 888-884-9344

[MountainSecureSystems.com](http://MountainSecureSystems.com)    

**MADE IN THE USA**

CAGE Code: O9FR8  
 9001:2008  
 AS9100B | J-STD-001

MSS-12-109 10/03/2013